

AERIAL RIG INFORMATION

An aerial rig is a portable 4 legged frame with a hang point at the top, can be used with silk, lyra, flying pole, static trapeze, corde lisse, or whatever you like.

(Note: unsuitable for swinging trapeze)

HOW IT WORKS

The head section has 4 sleeves for the legs to slide into. The legs are in 4 sections each, and by removing or adding leg sections, the height can be adjusted.

It reaches **6.6m** when all 4 legs are inserted. Each set of legs adjust the height by about 1.6m. Although this can be customised to suit your needs

Finally a small chain is run around the base, or small pegs inserted, to lock in the legs. The base footprint is approx. 5.9m x 5.2m. It comes with a pulley and rope system so no climbing required to change apparatus!



The Construction...

Starting at top:

- Head section is 100x50x3mm
- The hang point is a 12mm tab, with 2 bars at the outside edges to run the rope. (extra tabs can be added)
- The leg sections are 50x50x2mm
- All fittings are stainless steel or galvanised, and fully powder coated
In your choice of colour.

These rigs are all custom made and not just 'off the shelf'. Meaning you can have or change whatever you like! Specific height? It doesn't matter, it's built to suit you!

Rated to 300kg doing your regular moves, including drops etc!
(1500kg static rating)

To get started... Just visit our page crunchtimeaerialequipment

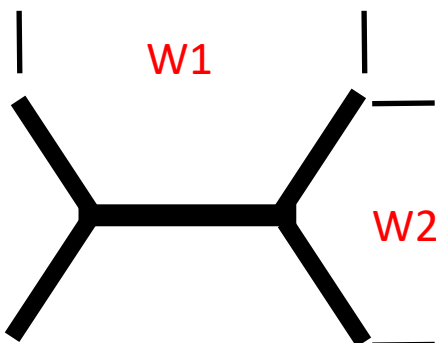
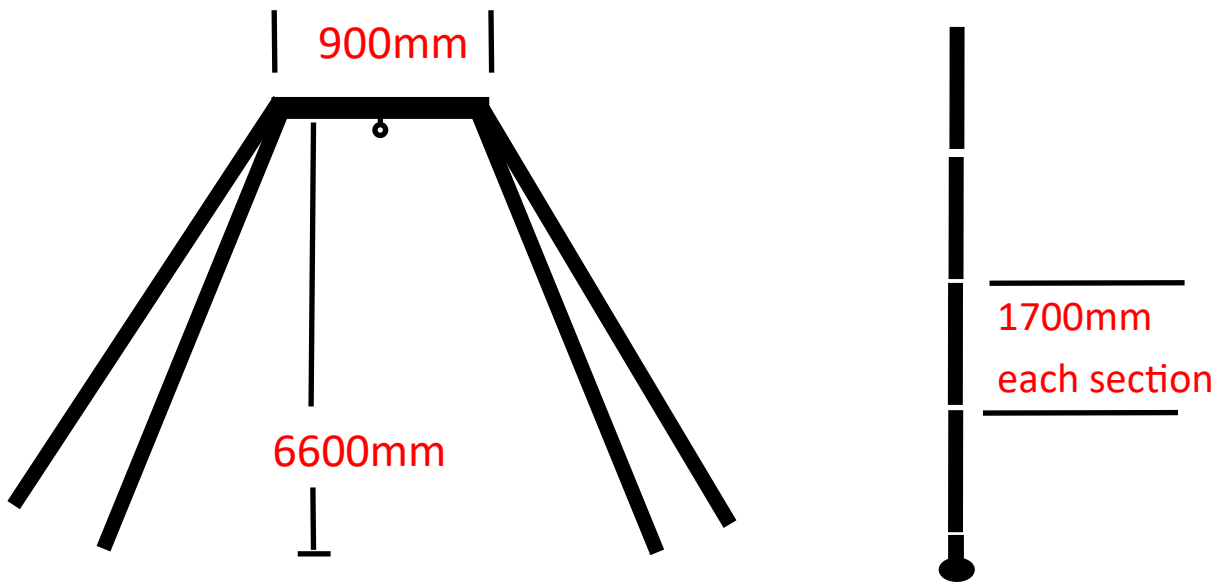
Standard Rig specifications

Max Height (to hang point) :6.4m *Clearance Required 6.7m*

Footprint :6m x 5.5m Approximately—Note the legs do move slightly

MRC (S.W.L) :300kg doing normal routine moves, drop etc..

Static 1500kg load tested



Footprint	W1	W2	Hang Height
Full Height	5900mm	5400mm	6400mm
3/4 Height	4000mm	3200mm	4800mm
1/2 Height	3000mm	2200mm	3200mm
1/4 Height	2100mm	1300mm	1600mm

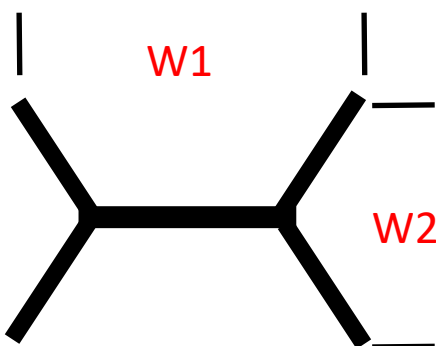
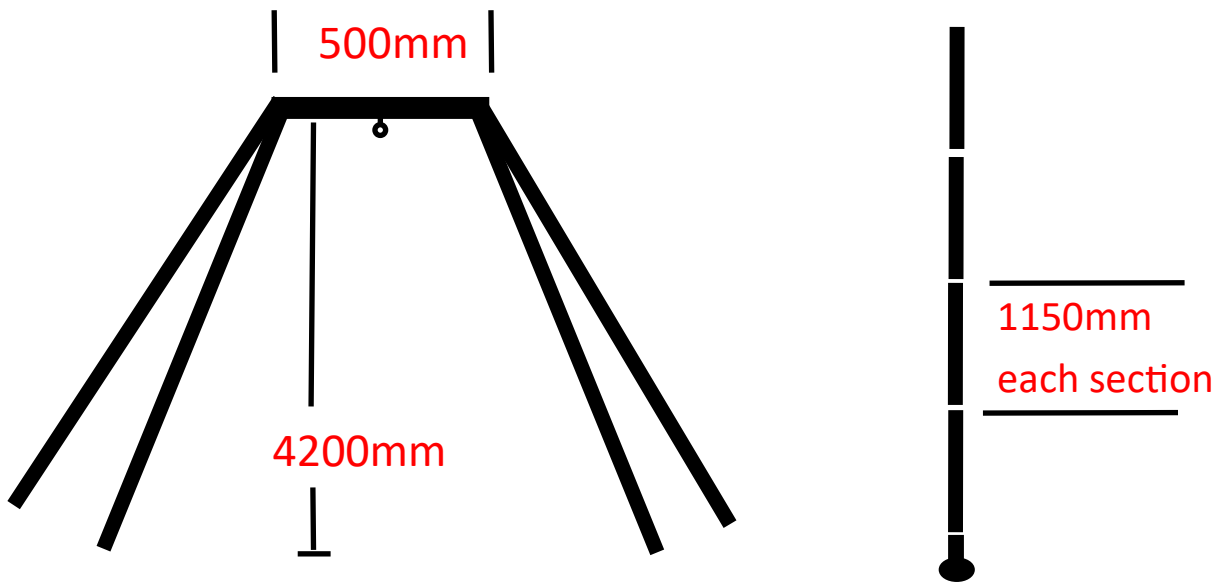
**Please note: all sizes are approximate and can vary slightly due to the flexibility in the leg sections, even more so on undulating ground. This is normal and does not affect the rigs performance.*

Designed for all lyra, silk, hammock etc. Guy wires must be used for dynamic swinging, like trapeze. (optional extra)

Dimensions may be changed to suit your needs, please contact for further information.

Mini Rig specifications

Max Height (to hang point) :4.3m *Clearance Required 4.5m*
 Footprint :4.1m x 4m Approximately—Note the legs do move slightly
 MRC (S.W.L) :300kg doing normal routine moves, drop etc..
 Static 1500kg load tested



Footprint	W1	W2	Hang Height (Pulley)
Full Height	4000mm	4100mm	4200mm
3/4 Height	2900mm	2900mm	3300mm
1/2 Height	2000mm	2000mm	2300mm

Bedroom instal? Easy!

1/2 mini with a 1200mm head
 = 2.4m ceiling and 3m x 2m width

For a 2.7m ceiling we supply a small set of 300mm legs :)

***Please note:** all sizes are approximate and can vary slightly due to the flexibility in the leg sections, even more so on undulating ground. This is normal and does not affect the rigs performance.

Designed for all lyra, silk, hammock etc. Guy wires must be used for dynamic swinging, like trapeze. (optional extra)

Dimensions may be changed to suit your needs, please contact for further information.